

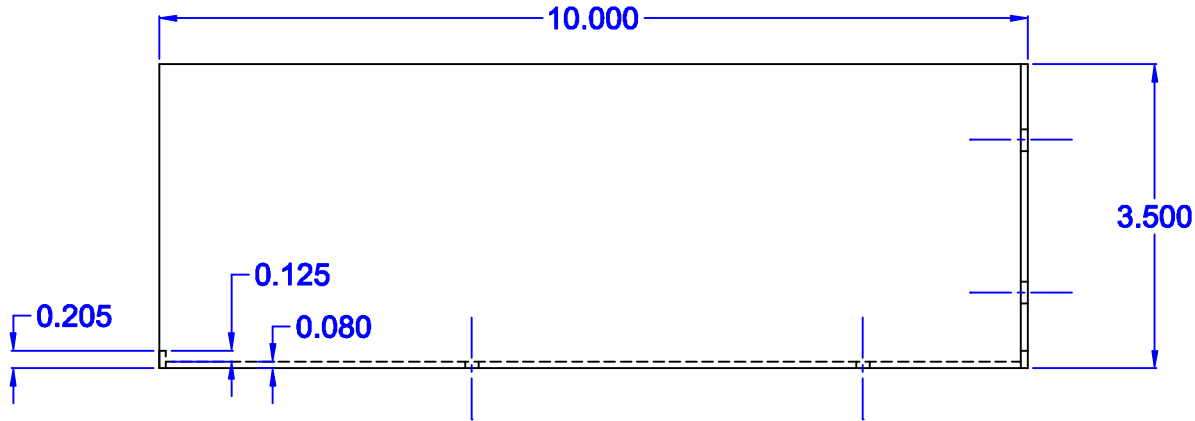
NOTES: ① DEBURR ALL HOLES AND  
BREAK ALL SHARP EDGES

RGT. TOP VIEW  
PART: SHELF SUPPORT TRAY  
REVISED REV "C" 06/29/2007


**AMPTEC  
RESEARCH**  
 TEL (512) 858-4045  
 FAX (512) 858-4340  
 AUSTIN, TX.

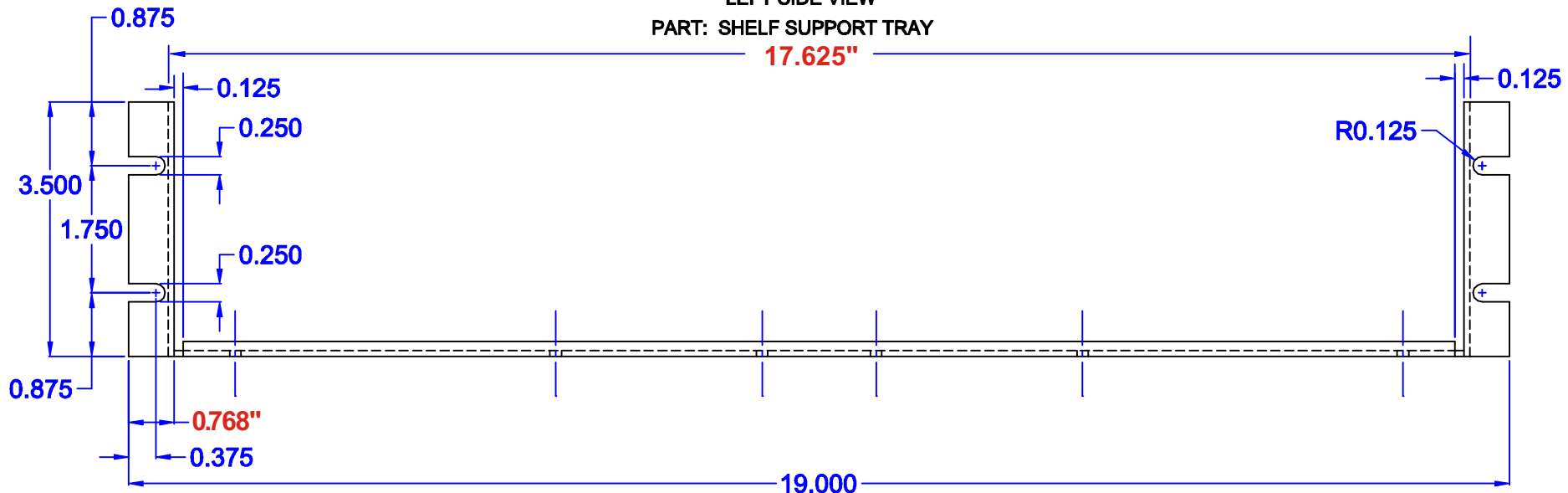
PART: SUPPORT TRAY	DATE: 06/29/2007
SCALE: N.T.S.	DWG. BY: S. Christianson
MATERIAL: 0.08 ALUM. 5052	DWG. FILE: SHELF SUPPORT TRAY
TOLERANCES: +/- 1/64"	SHEET: 1 OF 3

NOTES: ① DEBURR ALL HOLES AND  
BREAK ALL SHARP EDGES



LEFT SIDE VIEW

PART: SHELF SUPPORT TRAY



FRONT VIEW

PART: SHELF SUPPORT TRAY

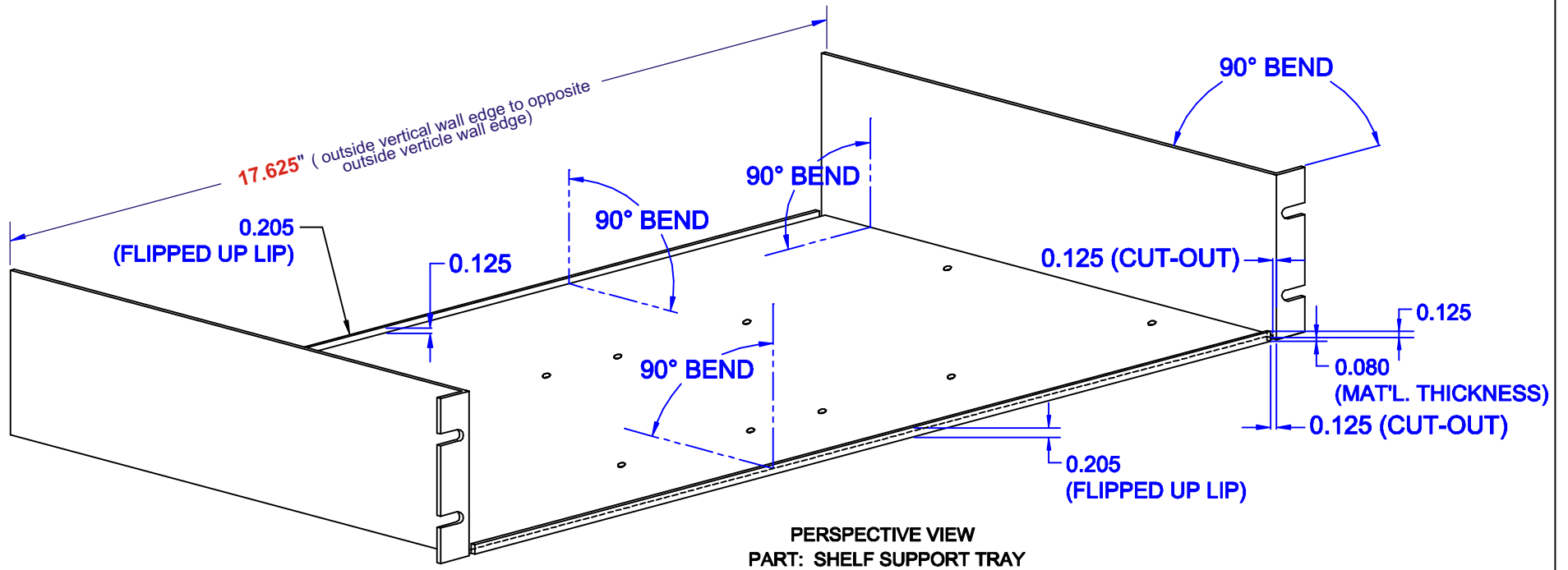
REVISED REV "C" 06/29/2007

NOTES: ① DEBURR ALL HOLES AND  
BREAK ALL SHARP EDGES

**AMPTec**  
RESEARCH  
TEL (512) 858-4045  
FAX (512) 858-4340  
AUSTIN TX 78737

PART: SUPPORT TRAY	DATE: 06/29/2007
SCALE: N.T.S.	DWG. BY: S. Christianson
MATERIAL: 0.08 ALUM. 5052	DWG. FILE: SHELF SUPPORT TRAY
TOLERANCES: +/- 1/64"	SHEET: 2 OF 3

NOTES: ① DEBURR ALL HOLES AND  
BREAK ALL SHARP EDGES



REVISED REV "C" 06/29/2007


**AMPTec  
RESEARCH**  
 TEL (512) 858-4045  
 FAX (512) 858-4340  
 AUSTIN, TX.

PART: SUPPORT TRAY	DATE: 06/29/2007
SCALE: N.T.S.	DWG. BY: S. Christianson
MATERIAL: 0.08 ALUM. 5052	DWG. FILE: SHELF SUPPORT TRAY
TOLERANCES: +/- 1/64"	SHEET: 3 OF 3

19" x 3.5" Black Textured ABS Plastic (Haircel) 1/4" thick

Universal Flush Mount Panel with Cutout  
for AMPTEC 620A4, 620ES, 620RK

